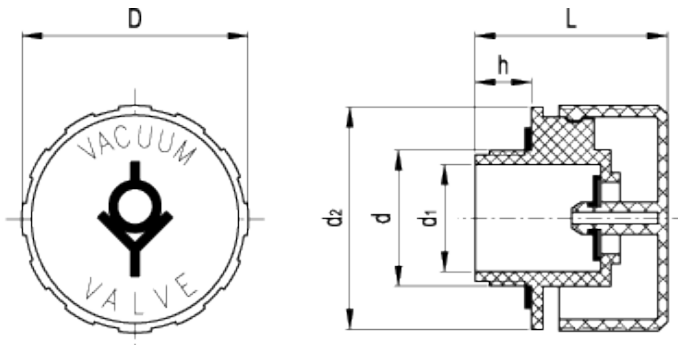


TVD.

Breather caps
with vacuum breaker valve



ELESA Original design



technical informations

Cover

Polypropylene based (PP) technopolymer with tampoprinted graphic symbol "valve" in black colour. Resistant to oils, greases and other chemical agents. Avoid contact with solvents, alcohol or detergents containing alcohol to preserve tampoprinted graphic symbol.

Colour

- Red (with EPDM ethylene-propylene-dien synthetic rubber packing ring).
- Green (with FKM fluorated synthetic rubber packing ring).

On request and for sufficient quantities the cover can be also supplied in black colour, with graphic symbol valve tampoprinted in other colour.

Threaded connector

Polypropylene based (PP) technopolymer, black colour. Resistant to solvents, oils, greases and other chemical agents.

Flat packing ring

EPDM (red cap) or FKM (green cap).

Membrane gasket

EPDM (red cap) or FKM (green cap).

Maximum continuous working temperature

50°C.

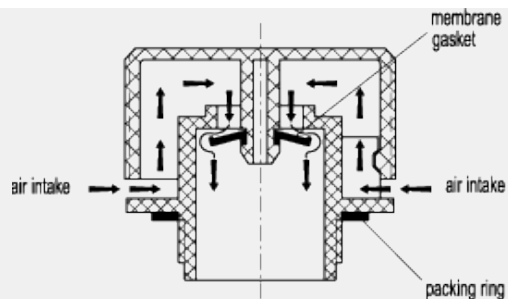
Features and applications

TVD. breather caps with vacuum breaker valve are suitable for reservoirs and tanks for liquid transport. The membrane retaining system allows a quick emptying out of the reservoir by letting in big quantities of air through the cap. Thus avoiding the vacuum inside the reservoir, slowing down the liquid exit. The pre-set pressure of the membrane gasket stops any liquid loss when the reservoir is shaken (for example during transportation). The liquid pressure on the gasket guarantees a perfect seal of the cap, for example in case of overturning of the reservoir.

RESISTANCE TO CHEMICAL AGENTS AT AMBIENT TEMPERATURE (23°C)			
CHEMICAL AGENT	EPDM	FKM	PP
ALDEHYDE (FORMALDEHYDE)	●	▲	●
ALCOHOL	●	▲	●
ALIPHATIC HYDROCARBONS (PETROL, GAS OIL, ETHANE, PROPANE, BUTANE)	▲	●	■
ANIMAL AND VEGETAL OILS AND GREASES	▲	●	●
AROMATIC HYDROCARBONS (TOLUOL, XYLOL)	▲	●	■
BENZOL	▲	●	▲
CONC. ACETIC ACID 40%	●	▲	●
CONC. AMMONIA	●	▲	●
CONC. HYDROCHLORIC ACID 10%	●	●	●
CONC. NITRIC ACID 10%	▲	●	■
CONC. SULPHURIC ACID 20%	▲	●	●
ESTERS	●	▲	●
GLYCOL	●	●	●
KETONES (ACETONE, METHYL ETHYL KETONE)	●	▲	●
MINERAL OILS AND GREASES	▲	●	■
POOR ACIDS	●	●	●
POOR BASES	●	●	●
STRONG ACIDS	●	▲	●
STRONG BASES	●	▲	●
Resistance: ● Good ■ Fair ▲ Poor			
The characteristics described should be treated as guidelines only. Tests carried out in standard laboratory conditions.			

Note

Please contact ELESA Technical Department for further chemical resistance details to particular liquids not reported in the table.



The membrane gasket warps and lets air inside the reservoir due to the effect of the vacuum which is created by the liquid discharge.

Standard Elements		Main dimensions						Weight
Code	Description	d	D	L	h	d ₁	d ₂	g
61011	TVD.70-1¼-FKM	G 1¼	70	59	17	33	68.5	80
61021	TVD.70-1¼-EPDM	G 1¼	70	59	17	33	68.5	80

Depression	FLOW RATE type of membrane	
	FKM 70	EPDM 70
50 mb	360 l/min.	370 l/min.
40 mb	320 l/min.	330 l/min.
30 mb	260 l/min.	280 l/min.
20 mb	210 l/min.	230 l/min.
10 mb	140 l/min.	160 l/min.
5 mb	110 l/min.	130 l/min.



ELESA and GANTER models all rights reserved in accordance with the law. Always mention the source when reproducing our drawings.

STANDARD MACHINE ELEMENTS WORLDWIDE